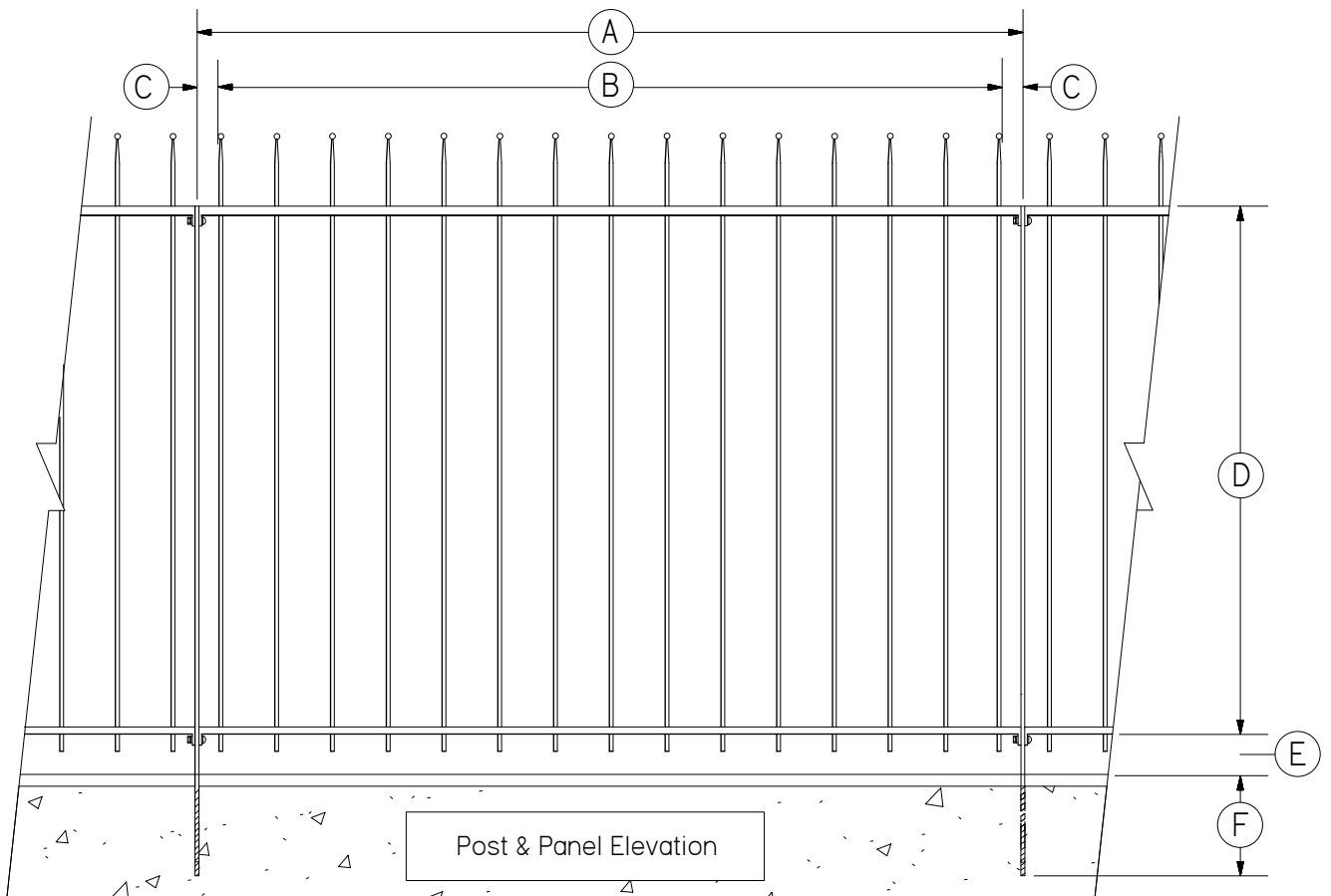
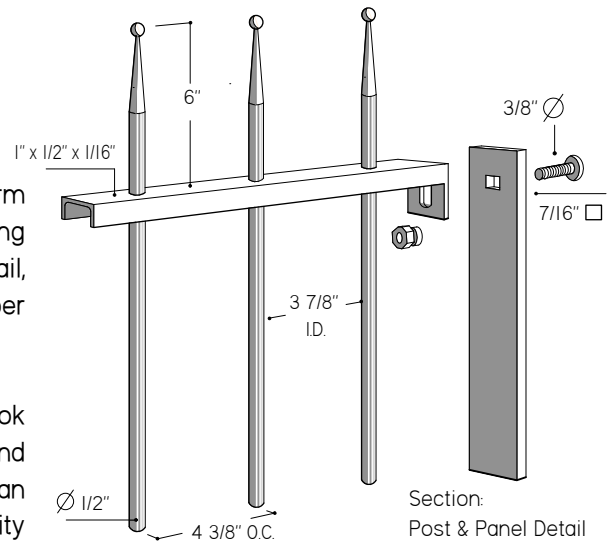


ALTAVILLA

PICKET FENCE

CHARACTERISTICS: Altavilla is a classic design that has the old world charm of traditional pointed picket fencing. This elegant look is made by using round, solid, steel pickets that extend above a horizontal channel top rail, and extend below a channel bottom rail. The tubular vertical pickets taper to a cone shaped head, topped by a ball.

APPLICATIONS: Altavilla's more refined, traditional and sophisticated look was designed for use in residential applications such as entry gates and fences for both private homes and multi-family complexes. Altavilla can also be used in fences and gates to enhance educational and hospitality projects where tradition and elegance is desired.



(A)	POST SPACING	78 3/4" Maximum	ADDITIONAL SPECIFICATIONS Grill Weight approx. 2 lbs. per sq. ft. Steel meets ASTM A-36 Electrofused Steel Construction Hot-dip Galvanized meets ASTM-123 Polyester Powder-coated or Epoxy Wet-coat
(B)	PANEL WIDTH	78 1/2" Maximum	
(C)	LUG PROJECTION	2 1/2" Maximum	
(D)	PANEL HEIGHT	Up to 59" High	
(E)	CLEARANCE	4" Maximum Sug.	
(F)	POST EMBEDMENT	7" Minimum Sug.	

