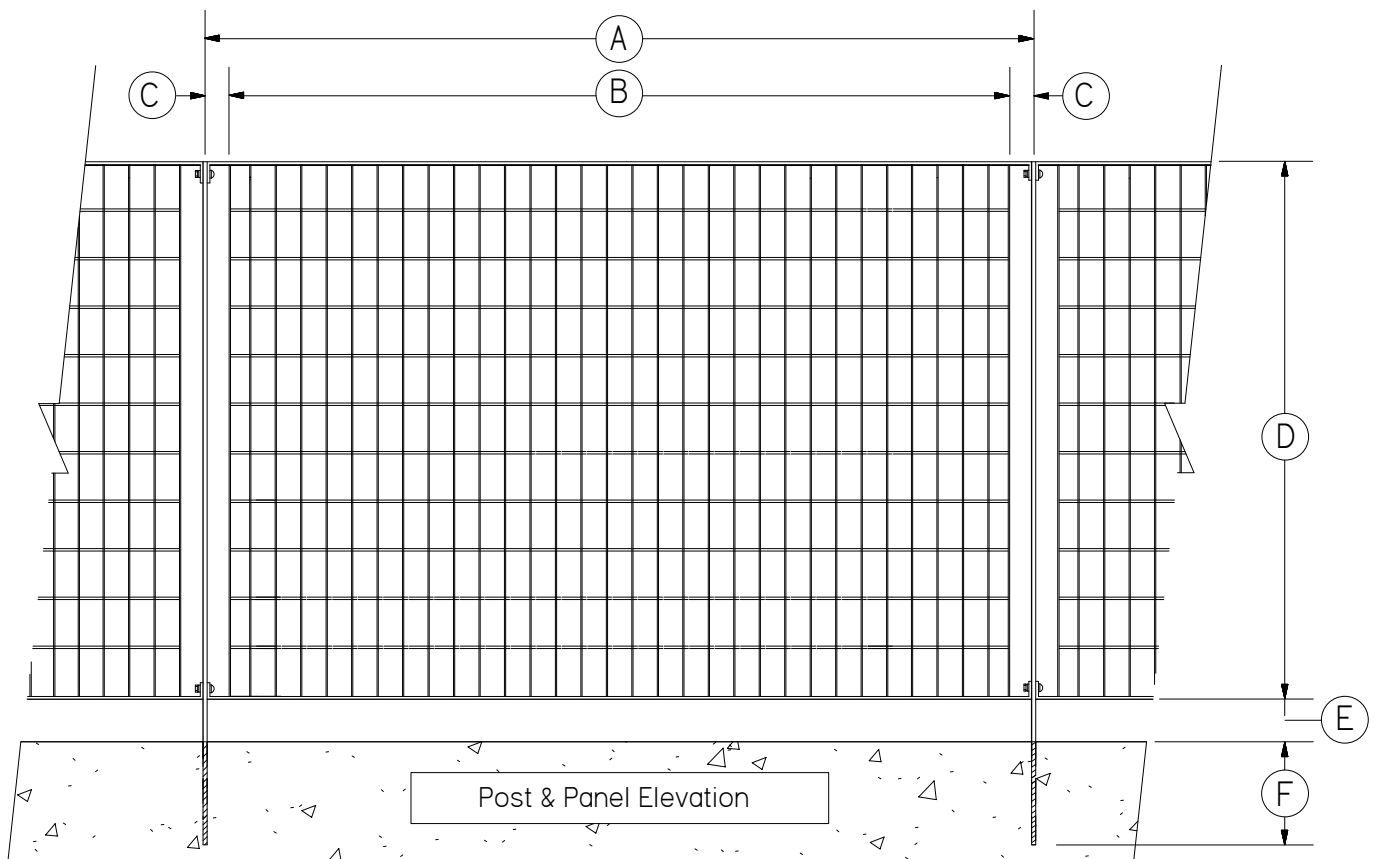
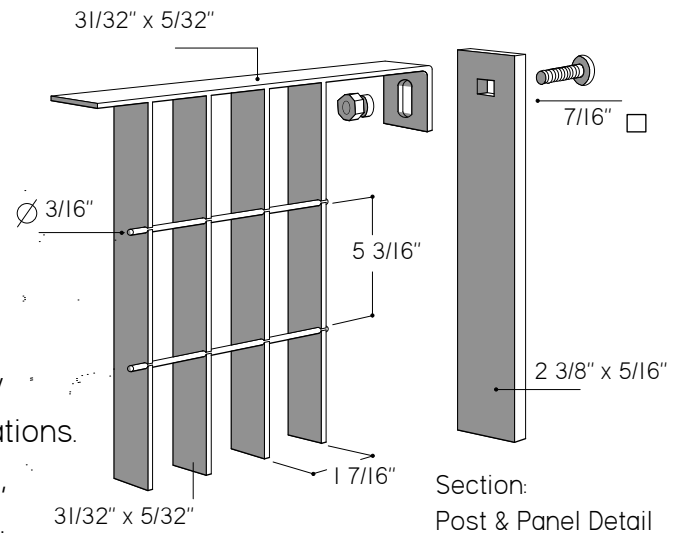


PUGLIA

SMALL RECTANGLE OPENINGS

CHARACTERISTICS: PUGLIA has clean rectangular lines that offer a modern visual appeal while providing extreme durability and security protection.

APPLICATIONS: PUGLIA panels are excellent for many applications in both residential and commercial locations. PUGLIA is ideal for sporting venues, parks, hospitality, security gates, privacy fencing, ramp rails, balconies.



(A)	POST SPACING	62 5/16" Maximum	Electrofused Steel Construction Grill Weight approx. 2.4 lbs. per sq. ft. Steel meets ASTM A-36 *NOTE: Panels above 96" require additional support. Hot-dip Galvanized meets ASTM-123 Polyester Powder-coated or Epoxy Wet-coat
(B)	PANEL WIDTH	57" Maximum	
(C)	LUG PROJECTION	2 1/2" Maximum	
(D)	PANEL HEIGHT	Up to 240" High*	
(E)	CLEARANCE	4" Maximum	
(F)	POST EMBEDMENT	7" Minimum	

