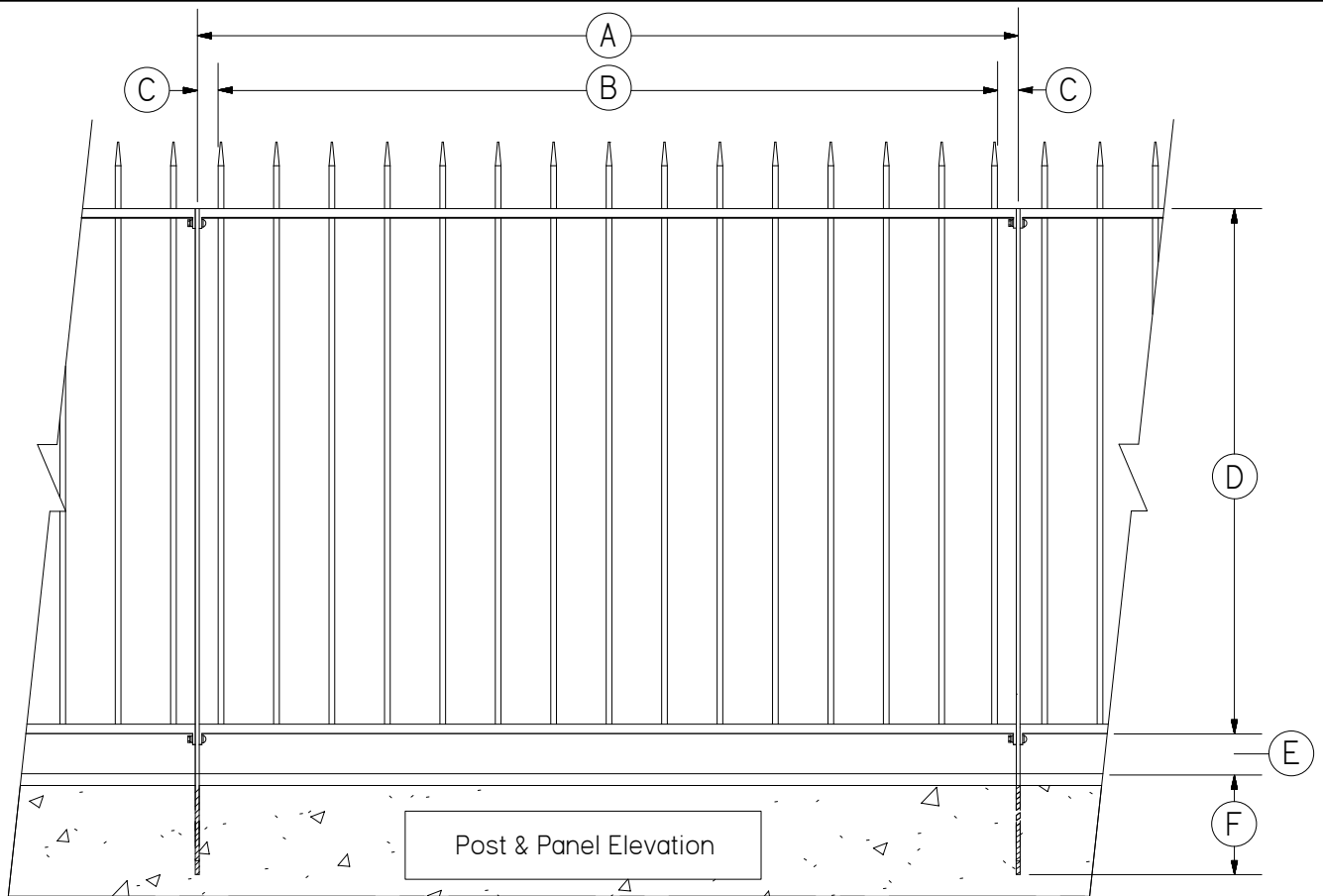
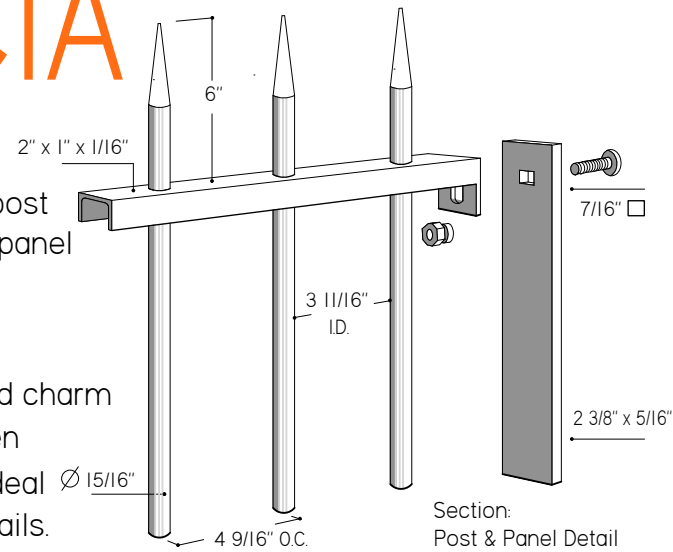


# BIANCALANCIA

## RAILING FENCE

**CHARACTERISTICS:** BIANCALANCIA, utilizes verticle tubular post and channel rail construction, creating an extremely rigid panel system that is both stronger and less than half the weight of traditional solid steel fencing.

**APPLICATIONS:** BIANCALANCIA panels maintain the old world charm of traditional picket fencing with the environmentally green advantage of using much less material. BIANCALANCIA is ideal for landscape and perimeter fencing, security gates and rails.



(A)	POST SPACING	78 3/4" Maximum	<b>ADDITIONAL SPECIFICATIONS</b> Grill Weight approx. 2 lbs. per sq. ft. Steel meets ASTM A-36 Electrofused Steel Construction Hot-dip Galvanized meets ASTM-123 Polyester Powder-coated or Epoxy Wet-coat
(B)	PANEL WIDTH	78 1/2" Maximum	
(C)	LUG PROJECTION	2 1/2" Maximum	
(D)	PANEL HEIGHT	Up to 83 3/8" High	
(E)	CLEARANCE	4" Maximum	
(F)	POST EMBEDMENT	7" Minimum	



Fe Industries, Inc.