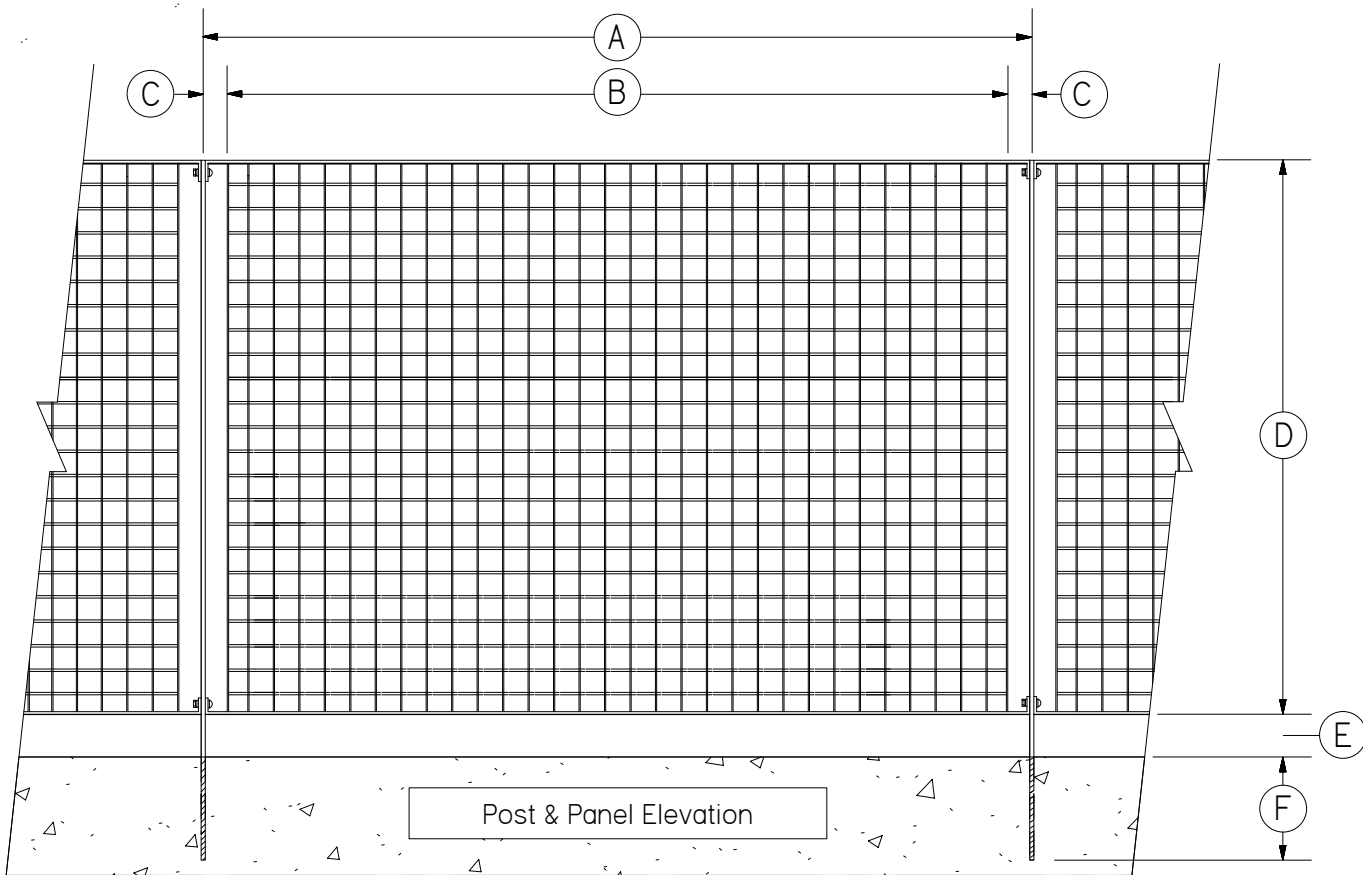
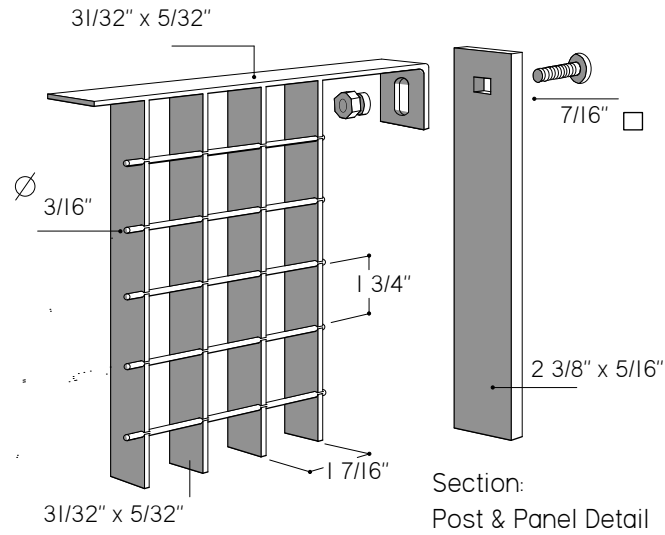


# BARI

## SMALL SQUARE OPENINGS

**CHARACTERISTICS:** BARI is a small square open grating panel that offers modern visual appeal while providing extreme durability and security protection.

**APPLICATIONS:** BARI panels are well suited for industrial, commercial, and residential use. BARI's pattern density makes it one of our most durable panels, ideal for security gates and fencing, ramp rails, balconies.



(A)	POST SPACING	45 5/16" Maximum	Electrofused Steel Construction Grill Weight approx. 3 lbs. per sq. ft. Steel meets ASTM A-36 *NOTE: Panels above 96" require additional support. Hot-dip Galvanized meets ASTM-123 Polyester Powder-coated or Epoxy Wet-coat
(B)	PANEL WIDTH	40" Maximum	
(C)	LUG PROJECTION	2 1/2" Maximum	
(D)	PANEL HEIGHT	Up to 240" High*	
(E)	CLEARANCE	4" Maximum	
(F)	POST EMBEDMENT	7" Minimum	



Industries, Inc.