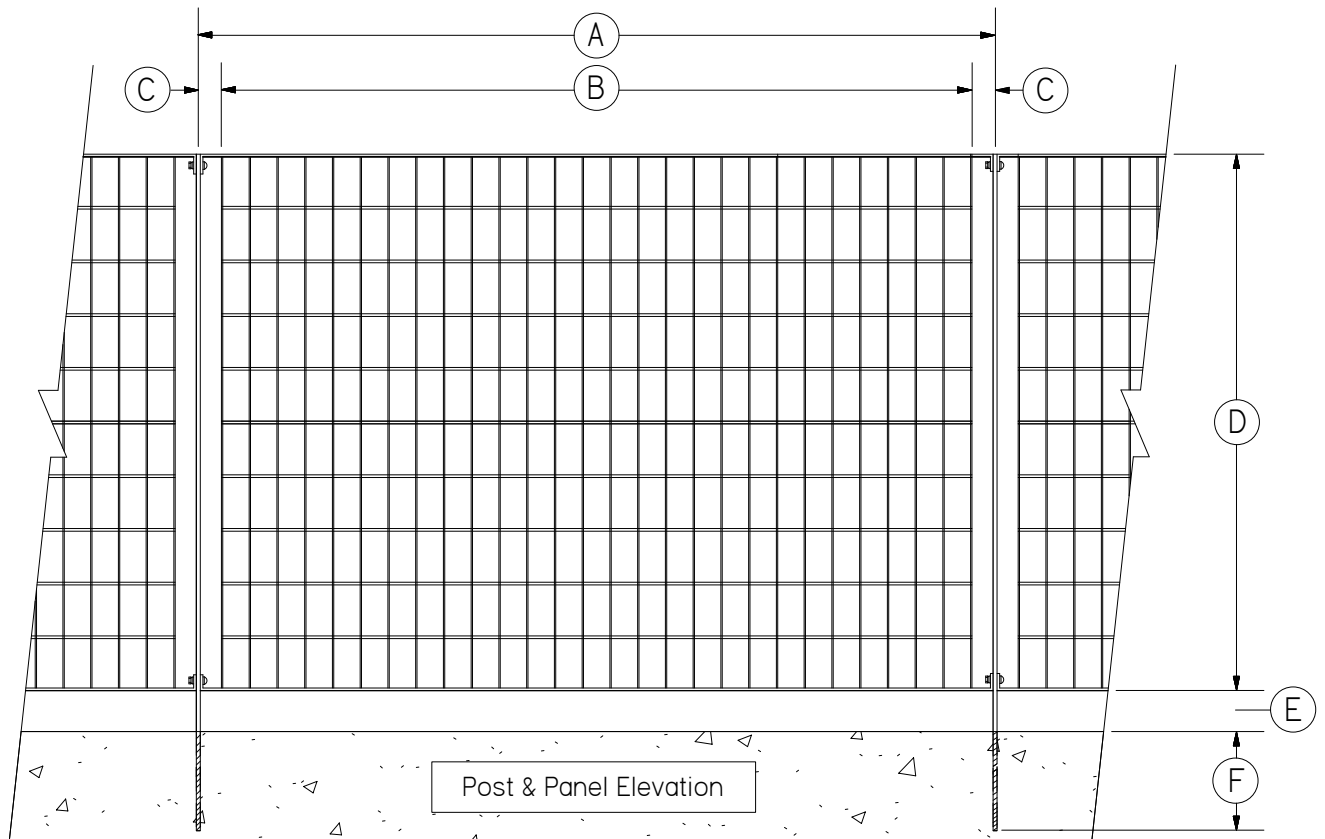
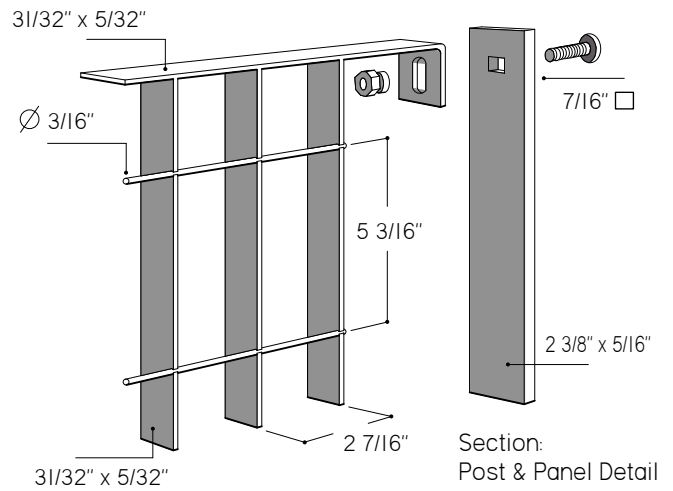


SVEVIA

LIGHT RECTANGULAR OPENINGS

CHARACTERISTICS: SVEVIA is our most popular panel, with its clean rectangular lines and medium openness it is the standard design in verticle grating.

APPLICATIONS: SVEVIA panels are excellent for many applications such as residential, industrial, sporting venues, parks, hospitality, public assembly areas, recreational venues, cultural and educational facilities.



(A)	POST SPACING	78 3/4" Maximum	ADDITIONAL SPECIFICATIONS Grill Weight approx. 3.1 lbs. per sq. ft. Steel meets ASTM A-36 Electrofused Steel Construction Hot-dip Galvanized meets ASTM-123 Polyester Powder-coated or Epoxy Wet-coat
(B)	PANEL WIDTH	73 11/32" Maximum	
(C)	LUG PROJECTION	2 1/2" Maximum	
(D)	PANEL HEIGHT	Up to 144" High	
(E)	CLEARANCE	4" Maximum	
(F)	POST EMBEDMENT	7" Minimum	



Fe Industries, Inc.

Fabricator & Distributor of EMMEGI Architectural Fencing & Grillwork
 All Rights Reserved, Copyright 2016 www.feindustriesny.com 914.668.4500