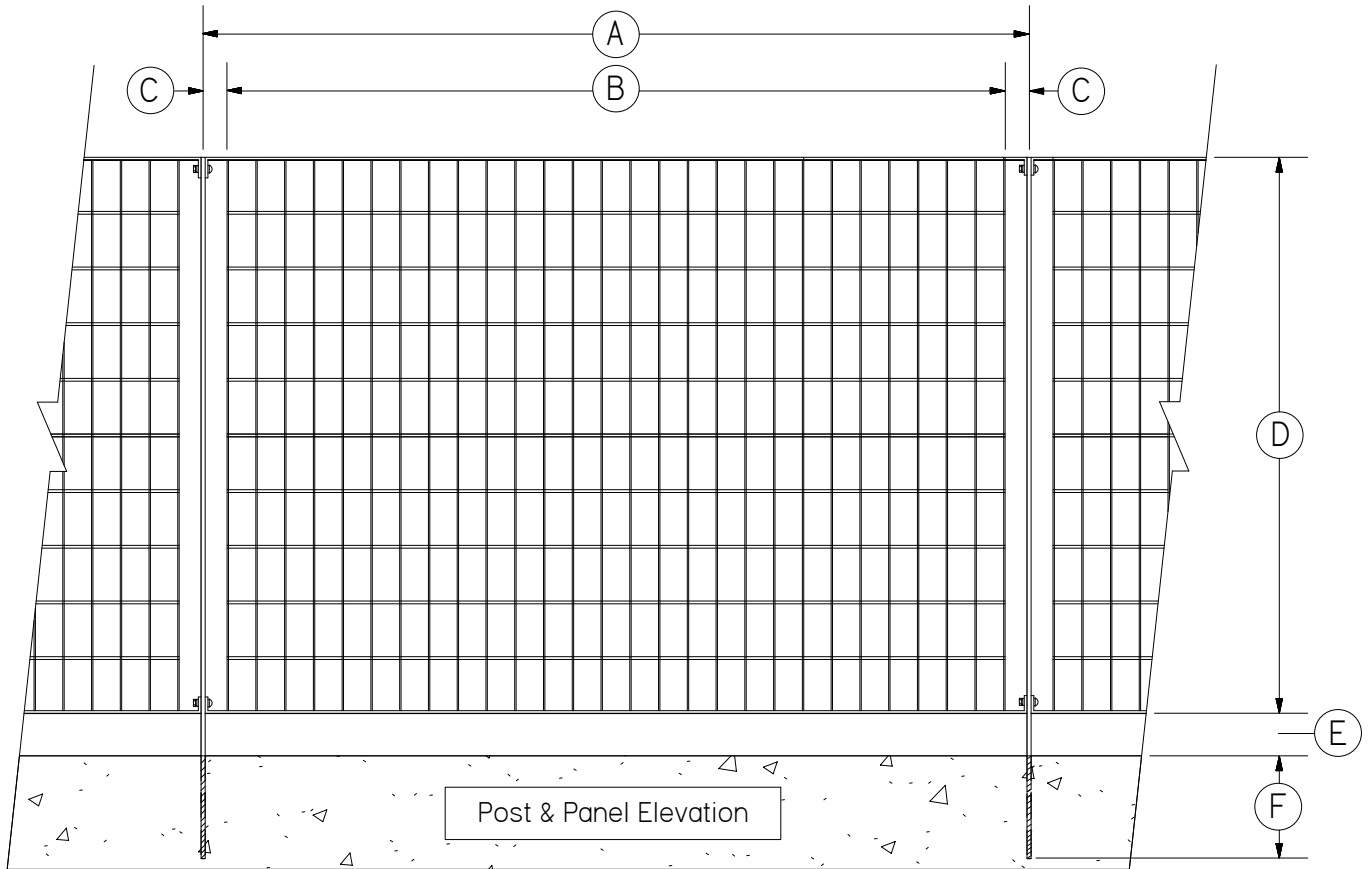
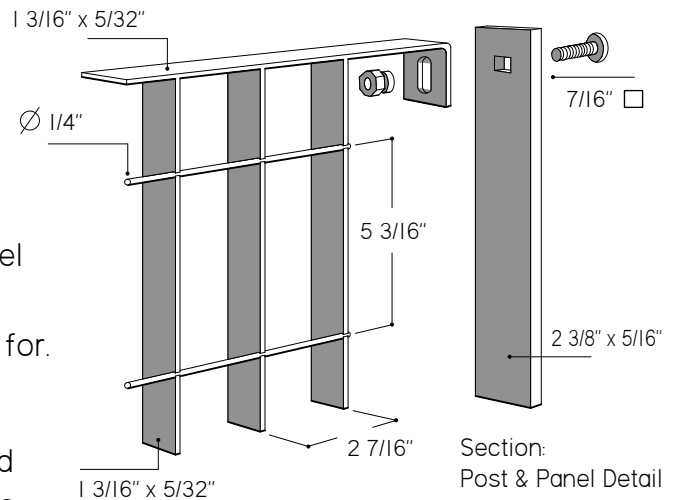


# PEUCEZIA

## HEAVY RECTANGULAR OPENINGS

**CHARACTERISTICS:** PEUCEZIA is our most heavy duty panel in the Emmegi line. It is used where the utmost in tensile strength, security & anti-break-in requirements are called for.

**APPLICATIONS:** PEUCEZIA panels are perfect for sports facilities, military facilities, warehouse fencing, bridge and highway overpasses, high traffic and crowd control areas.



(A)	POST SPACING	78 3/4" Maximum	<b>ADDITIONAL SPECIFICATIONS</b> Grill Weight approx. 4.5 lbs. per sq. ft. Steel meets ASTM A-36 Electrofused Steel Construction Hot-dip Galvanized meets ASTM-123 Polyester Powder-coated or Epoxy Wet-coat
(B)	PANEL WIDTH	73 11/32" Maximum	
(C)	LUG PROJECTION	2 1/2" Maximum	
(D)	PANEL HEIGHT	Up to 144" High	
(E)	CLEARANCE	4" Maximum	
(F)	POST EMBEDMENT	7" Minimum	



Industries, Inc.