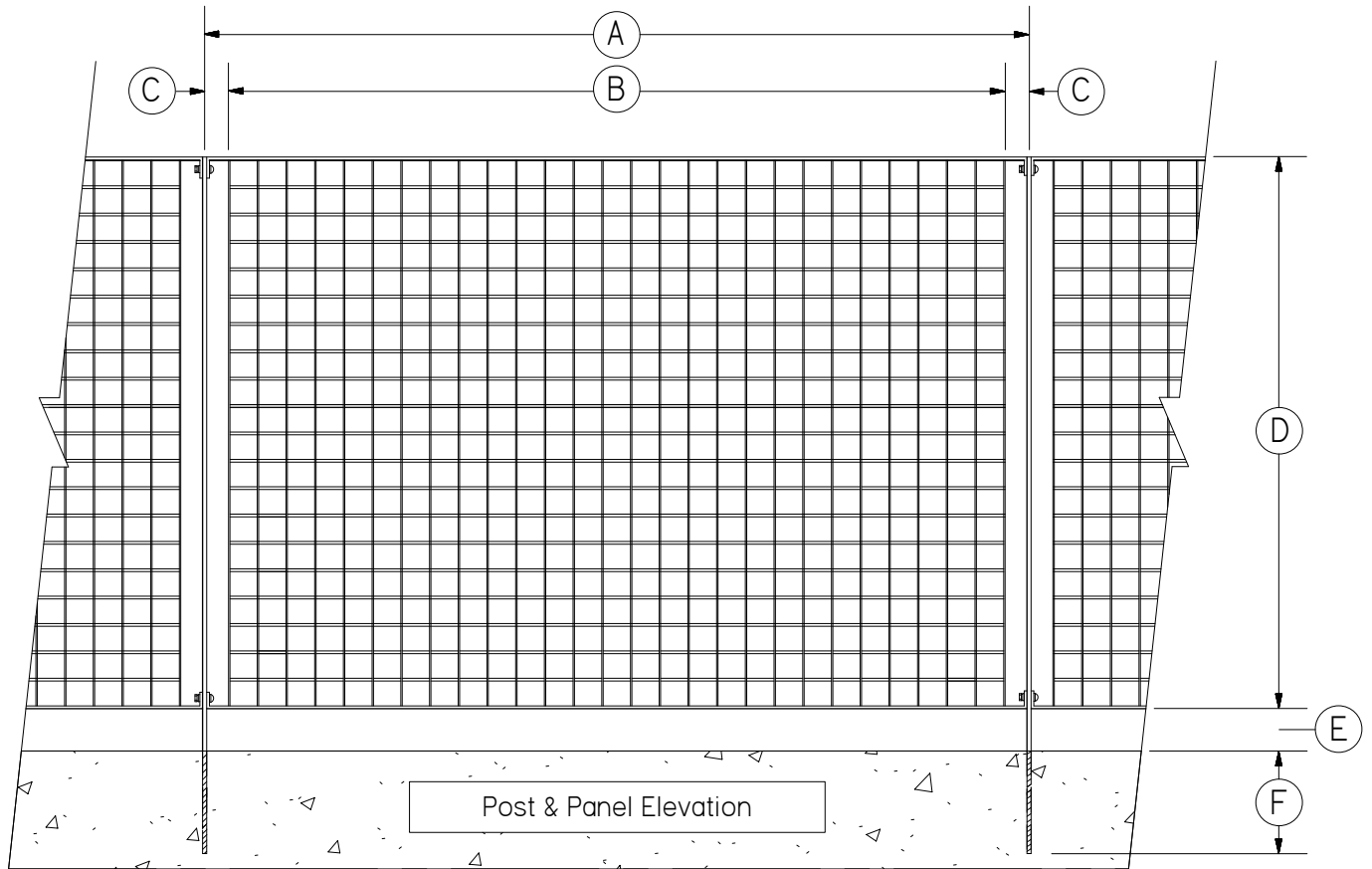
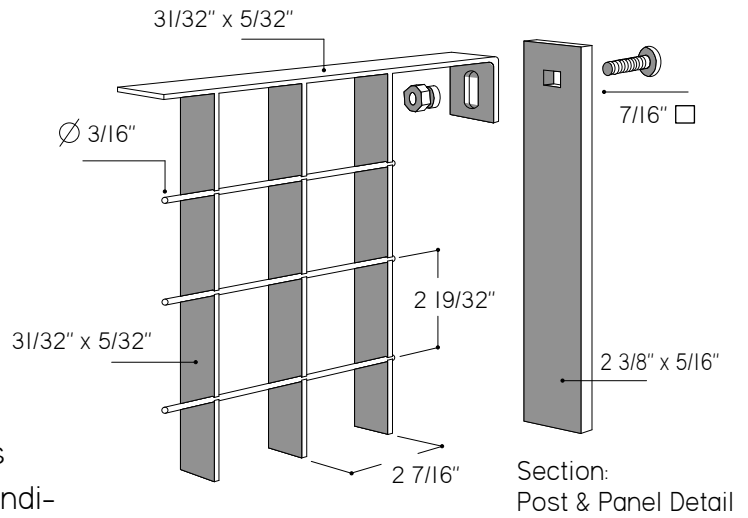


DAUNIA

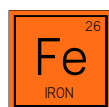
MEDIUM SQUARE OPENINGS

CHARACTERISTICS: DAUNIA is a medium square open grating panel that has a pleasing geometry of symmetry and balance.

APPLICATIONS: DAUNIA panels are well suited for industrial, commercial, and residential use. DAUNIA's simple geometry works for stairs, ramp railings, handi-cap ramps, balconies and interior partitions & screens.



(A)	POST SPACING	78 3/4" Maximum	ADDITIONAL SPECIFICATIONS Grill Weight approx. 3.5 lbs. per sq. ft. Steel meets ASTM A-36 Electrofused Steel Construction Hot-dip Galvanized meets ASTM-123 Polyester Powder-coated or Epoxy Wet-coat
(B)	PANEL WIDTH	73 11/32" Maximum	
(C)	LUG PROJECTION	2 1/2" Maximum	
(D)	PANEL HEIGHT	Up to 144" High	
(E)	CLEARANCE	4" Maximum	
(F)	POST EMBEDMENT	7" Minimum	



Industries, Inc.